

Cryocooler 10W@77K

TC4187

TC4187 integrates a gas-bearing linear pressure-wave-generator (PWG) with a pulse tube cold finger. Integral configuration ensures compactness.

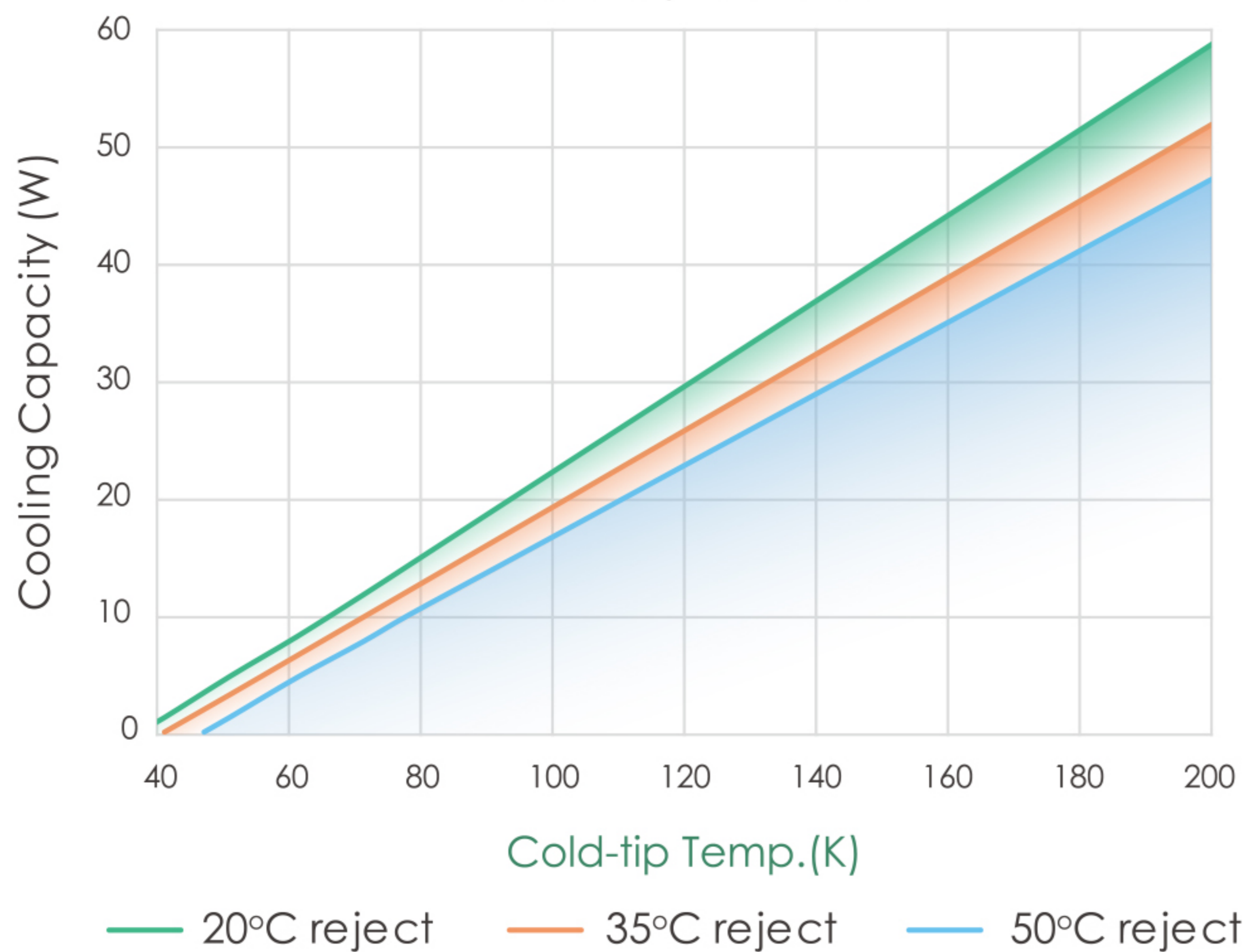


Features

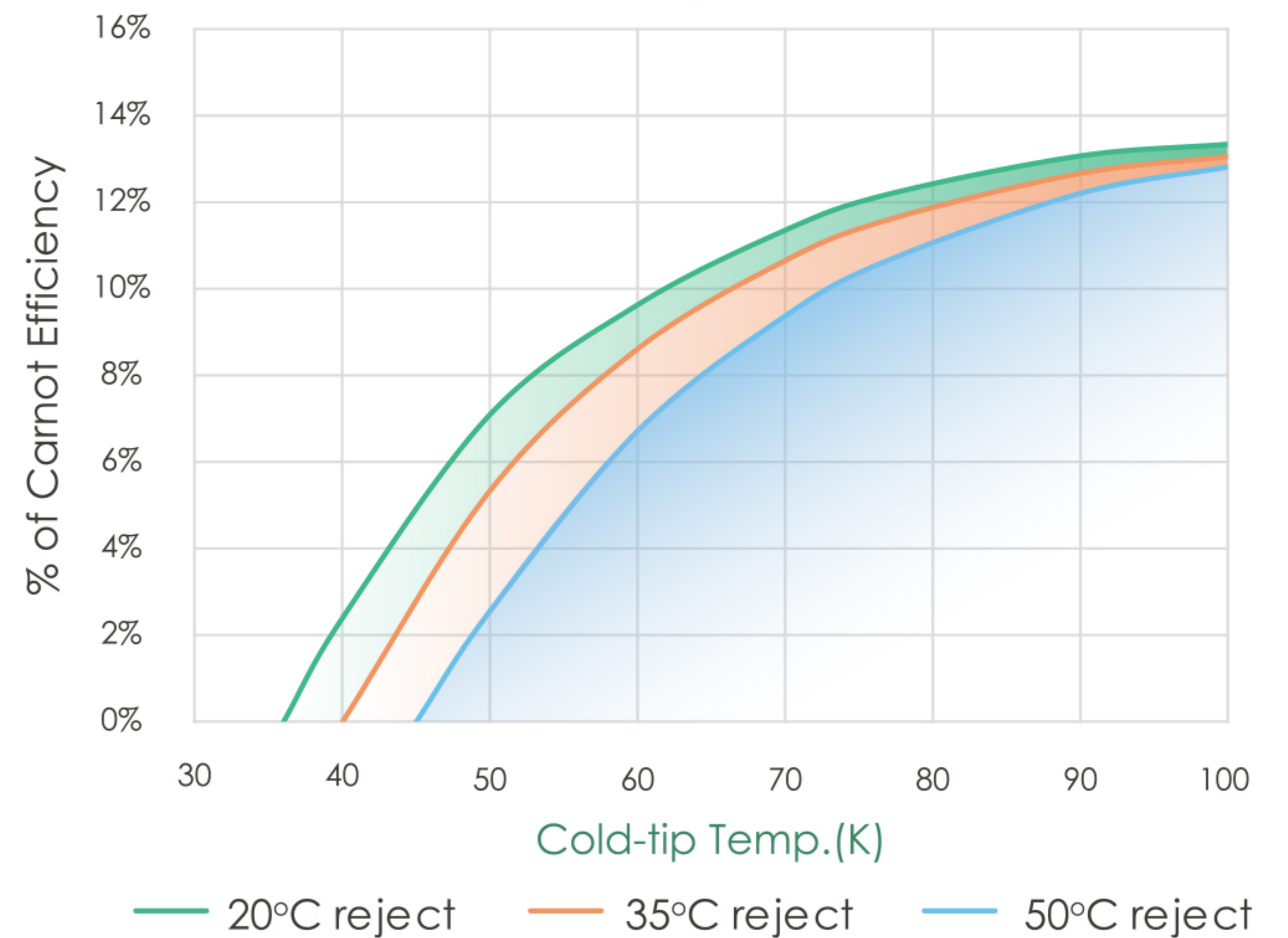
- 1 Dual opposed pistons driven by linear motor
- 2 Pulse tube cold finger
- 3 Selectable thermal radiators
- 4 Controller CT5505
- 5 Small footprint
- 6 Maintenance free
- 7 MTF > 50000h

Typical performance

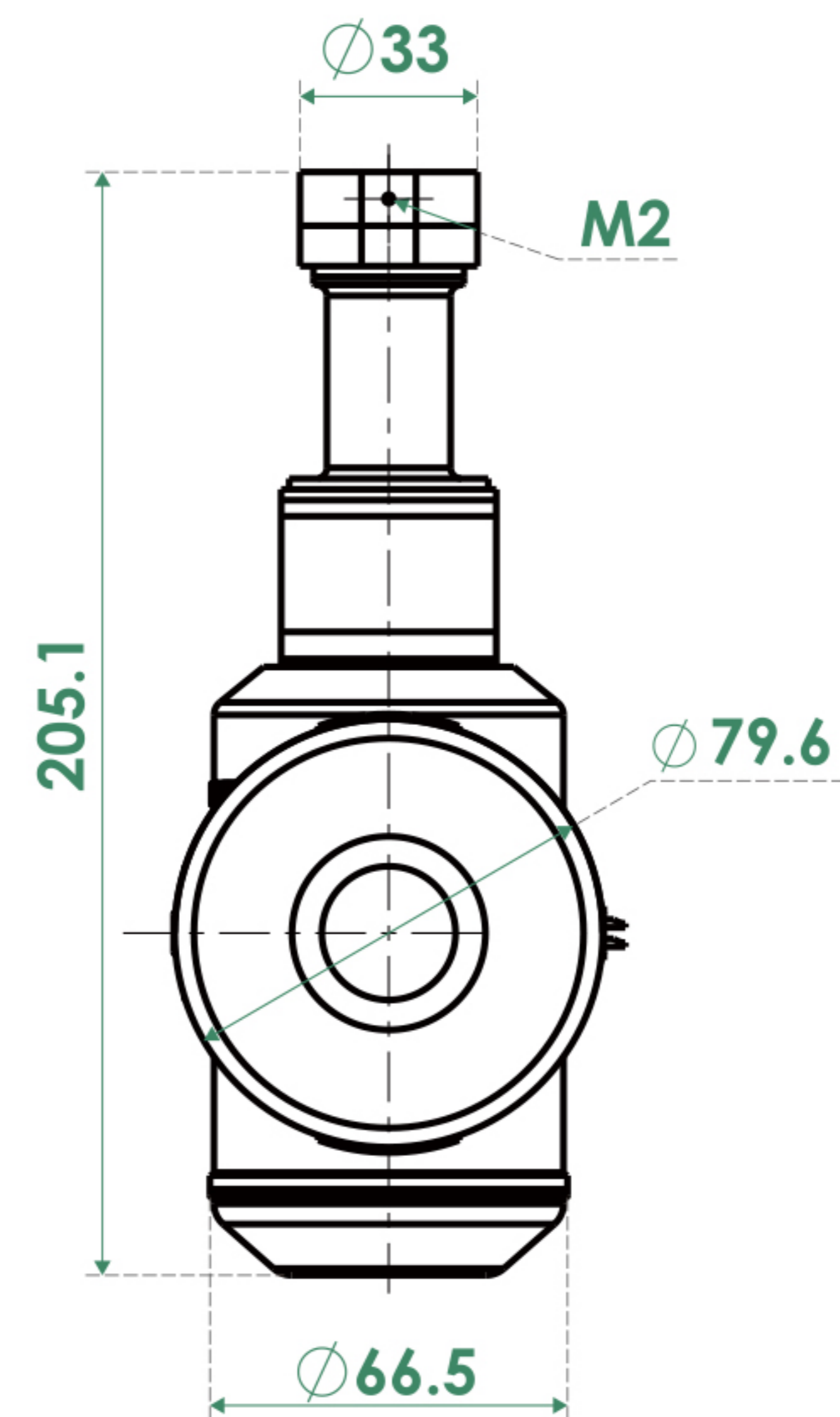
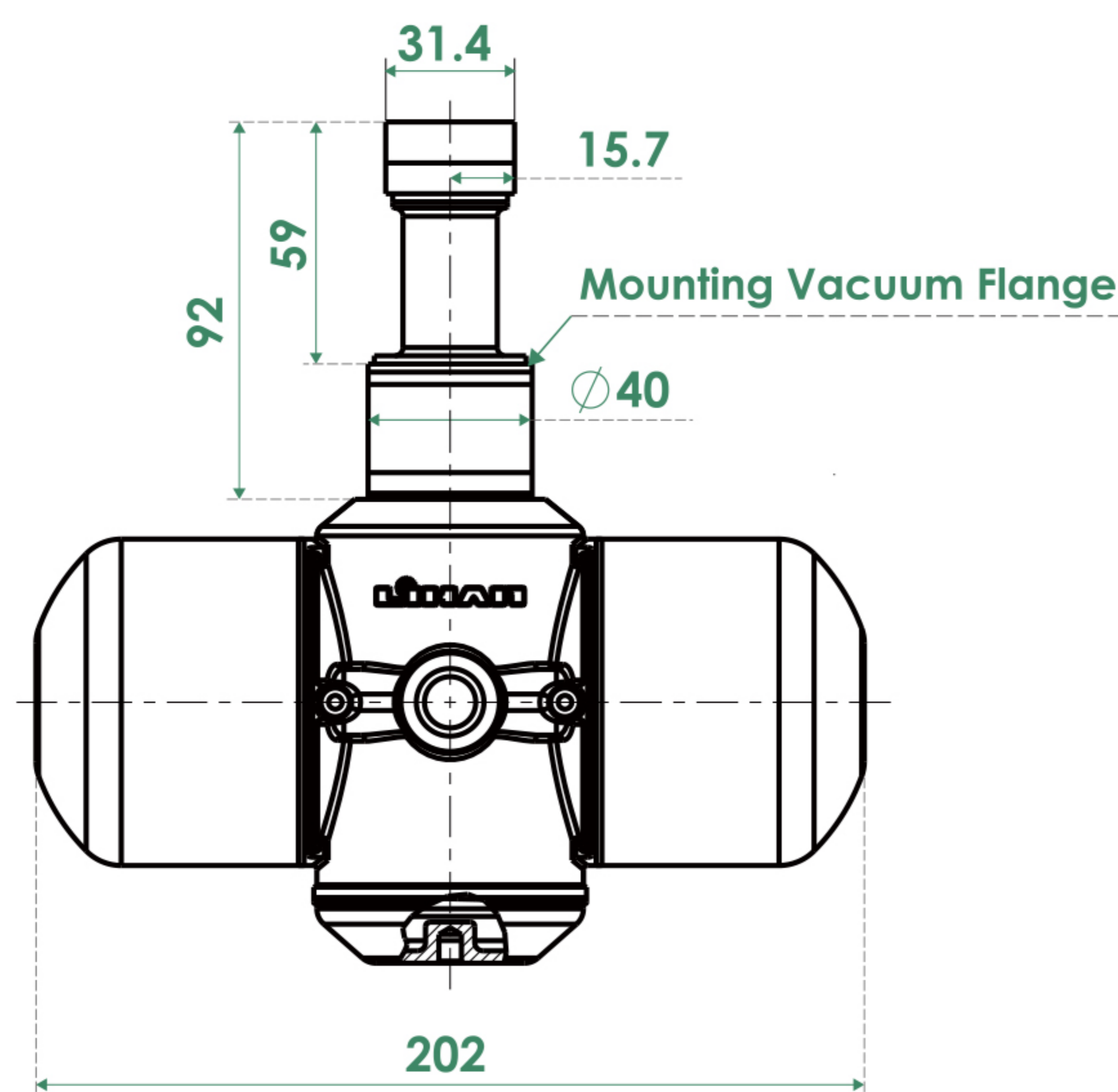
Cooling Capacity vs. Temperature
320 W Input Power



Percentage of Carnot Efficiency
320 W Input Power



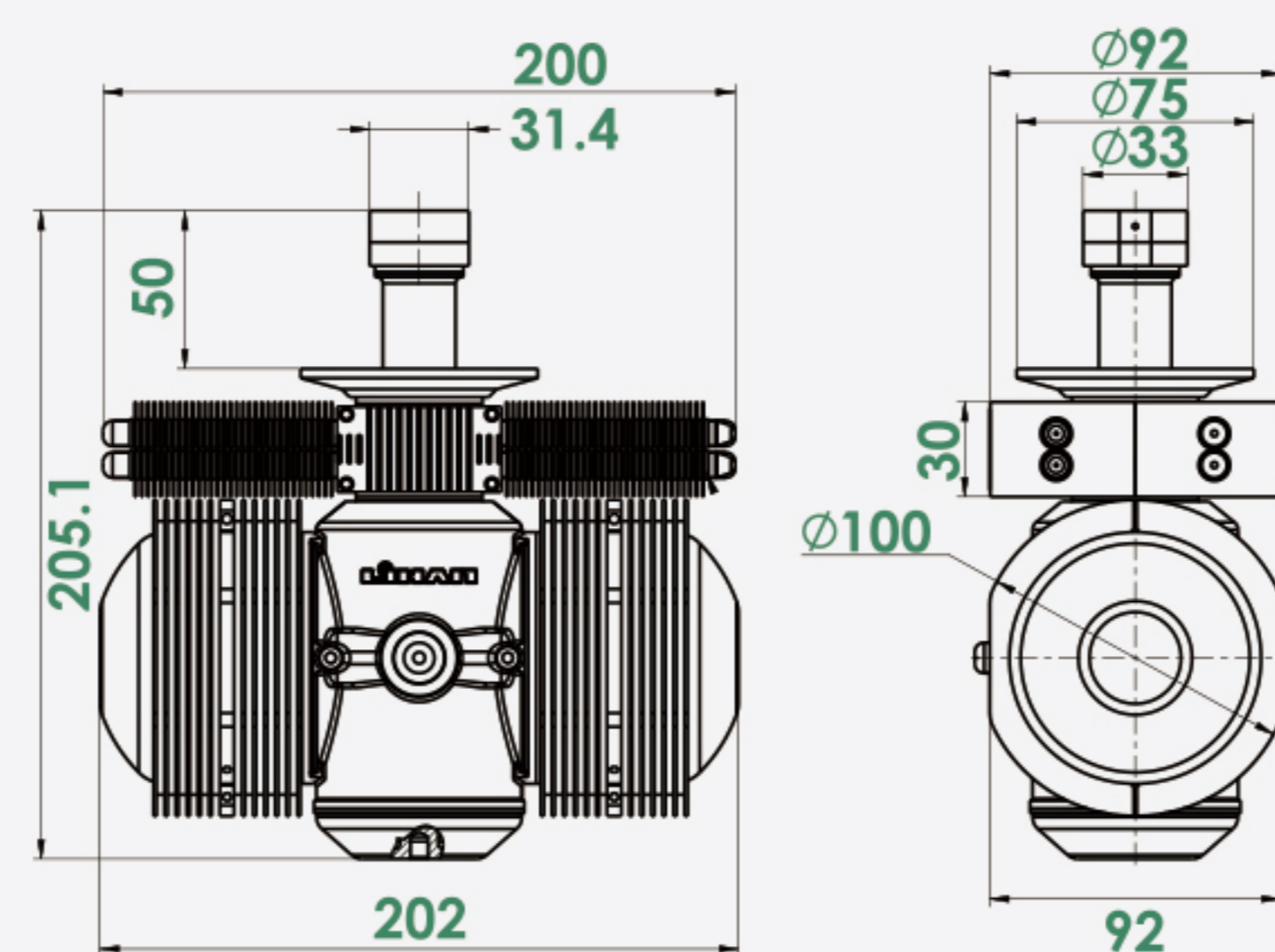
Specifications and Dimensions



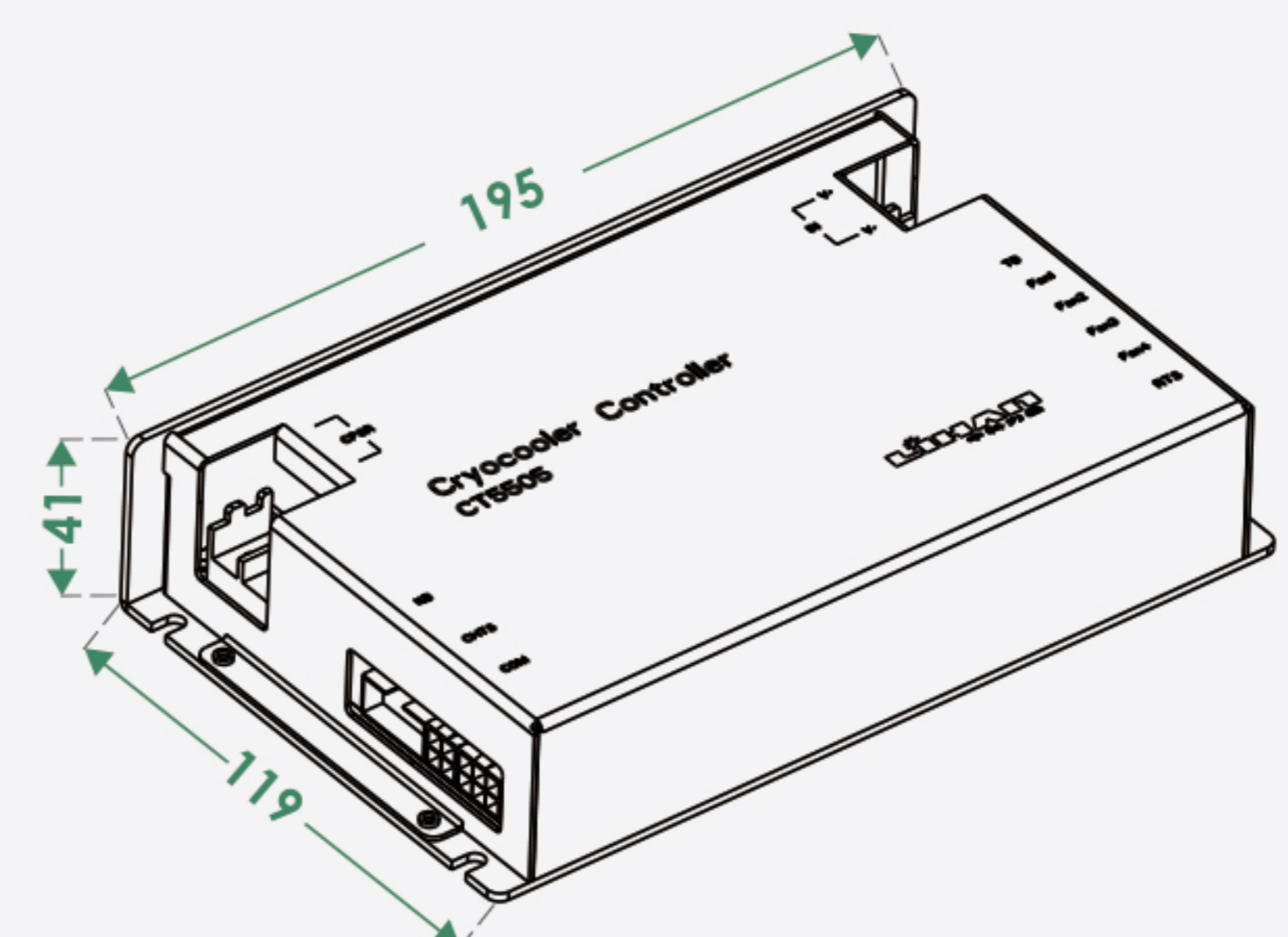
Operating Temperature	-20°C ~ +50°C
Nominal Input Power	240W
Nominal Cooling Capacity (20°C reject)	10W@77K
Max. Cooling Capacity (20°C reject)	14W@77K
Power Supply	DC48V
Lowest Temperature	≤ 45K
Weight	4.5kg
Temperature Stability	± 0.1K
Orientation	Any

Radiator and Controller

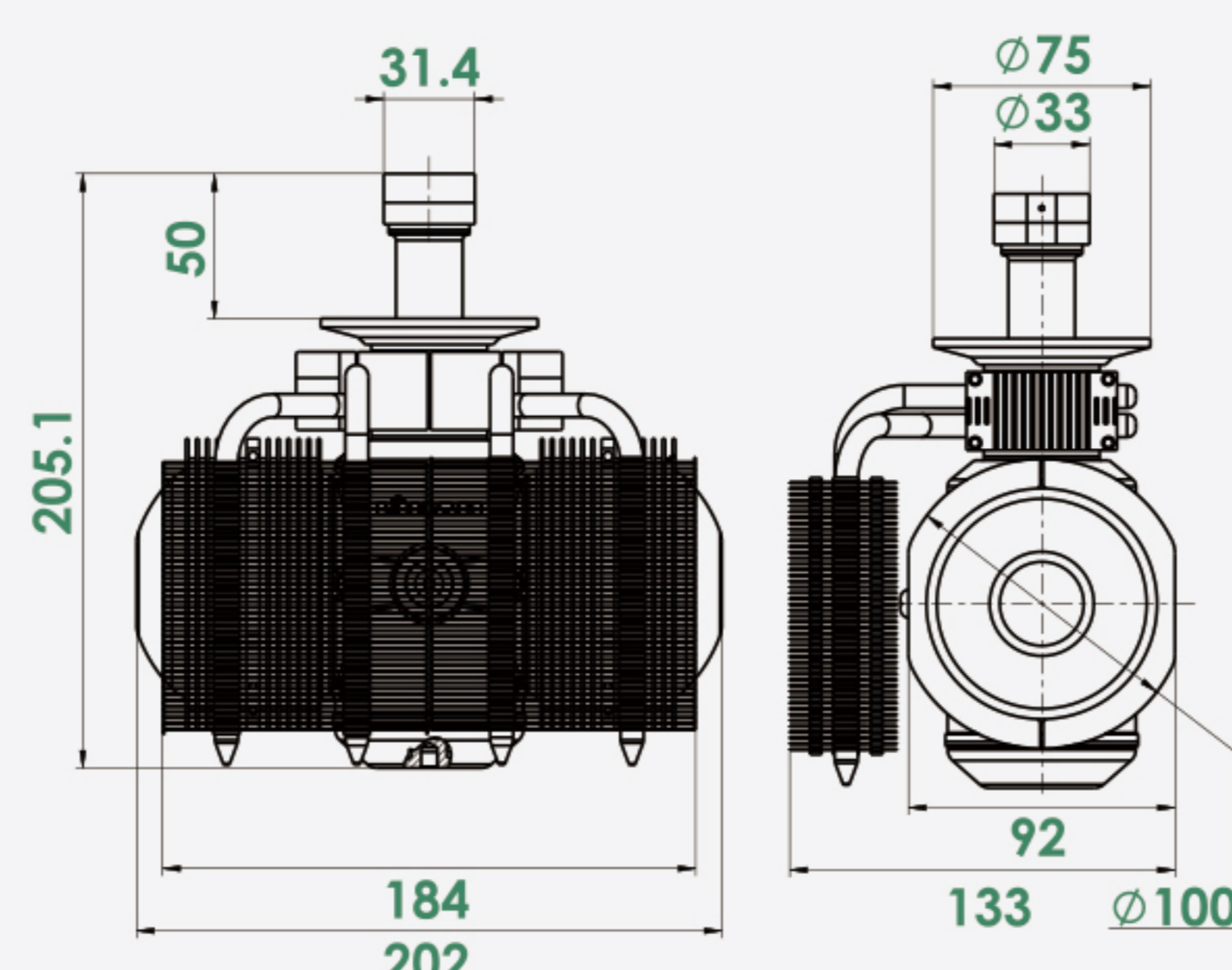
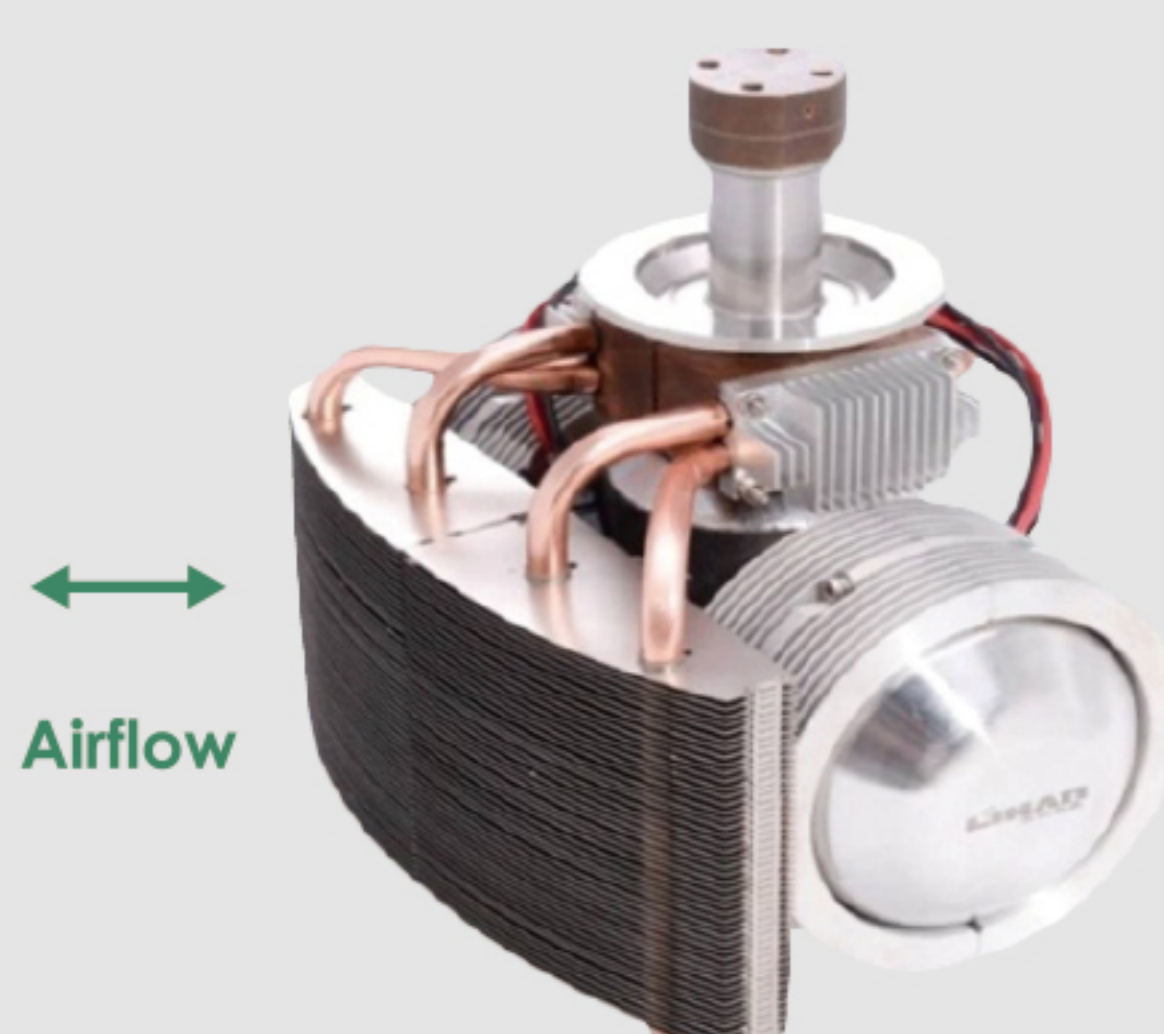
I-shape Thermal Radiator



CT 5505 Controller / Driver



L-shape Thermal Radiator



For more information:

Call : +86 755 86059186

Email : sales@lihantech.com

Web : www.lihantech.com

Add.: 3/F, Bldg. 4, Pingshan Minqi Industrial Park,
Lishan Rd., Nanshan, Shenzhen, 518055, China

*All dimensions in mm. Data subject to change without notice.