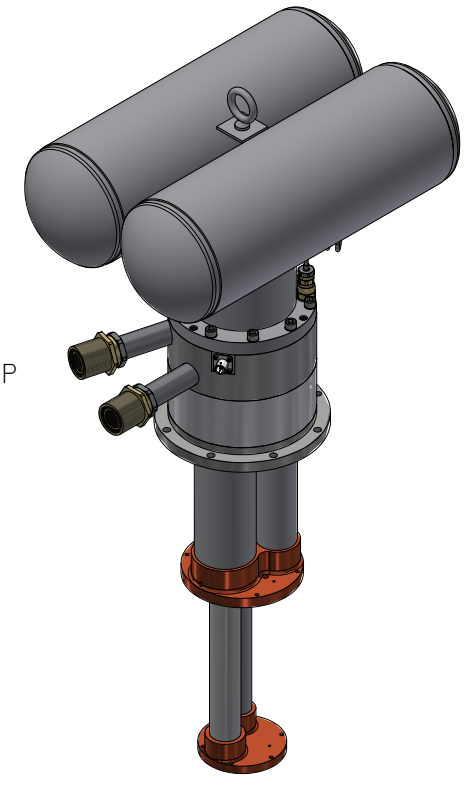
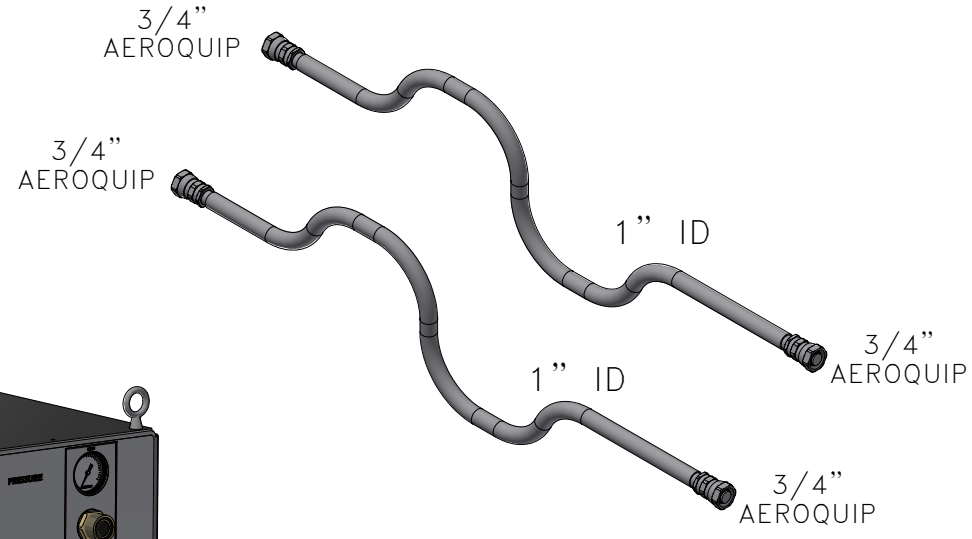


ALL INFORMATION CONTAINED IN THIS DOCUMENT SHOULD BE USED FOR REFERENCE PURPOSES ONLY & ARE SUBJECT TO CHANGE WITHOUT PRIOR NOTIFICATION. ALSO, THIS DOCUMENT IS CONSIDERED PROPRIETARY & THE SOLE PROPERTY OF CRYOMECH, INC. & SHOULD NOT BE REPRODUCED IN ANY MANNER WITHOUT PRIOR WRITTEN APPROVAL.

(2) LOW NOISE HELIUM FLEX LINES
STANDARD LENGTH: 66 ft
OTHER LENGTHS AVAILABLE



PT310 COLD HEAD

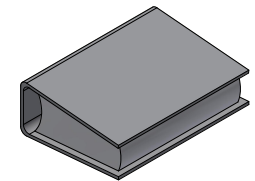


CPA1114 COMPRESSOR PACKAGE
(WATER COOLED)

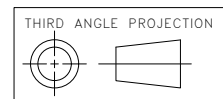
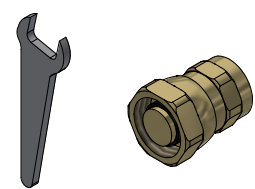
COLD HEAD
MOTOR CORD
(SAME LENGTH
AS FLEX LINES)

POWER CORD

MANUAL



TOOL KIT



CRYOMECH, INC.
SYRACUSE, NY U.S.A. WWW.CRYOMECH.COM

UNLESS OTHERWISE SPECIFIED: ALL DIMENSIONS ARE IN INCHES
ALTERNATE UNITS IN "[]" ARE FOR REFERENCE ONLY
TOLERANCES: X & X 1/2 = ±1/6, X.XXX = ±.005, X.XX = ±.01
CIRCULAR RUNOUT .005 TIR, ANGULARITY .005, ALLOVER FINISH 25 Ra

NAME: PT310 CPA1114 CRYOCOOLER			
DWG #: PT310 CPA1114 SYSTEM		SHT 1 OF 1	
MATERIAL: AS STATED			
DWN BY: CJS	DATE: 09MAR22	SCALE: 1:4	DWG SIZE: A
1ST CHK: -	DATE: -	2ND CHK: -	DATE: -
CUST: -		BTA: -	

ECN	ZONE	REV	DESCRIPTION	DATE