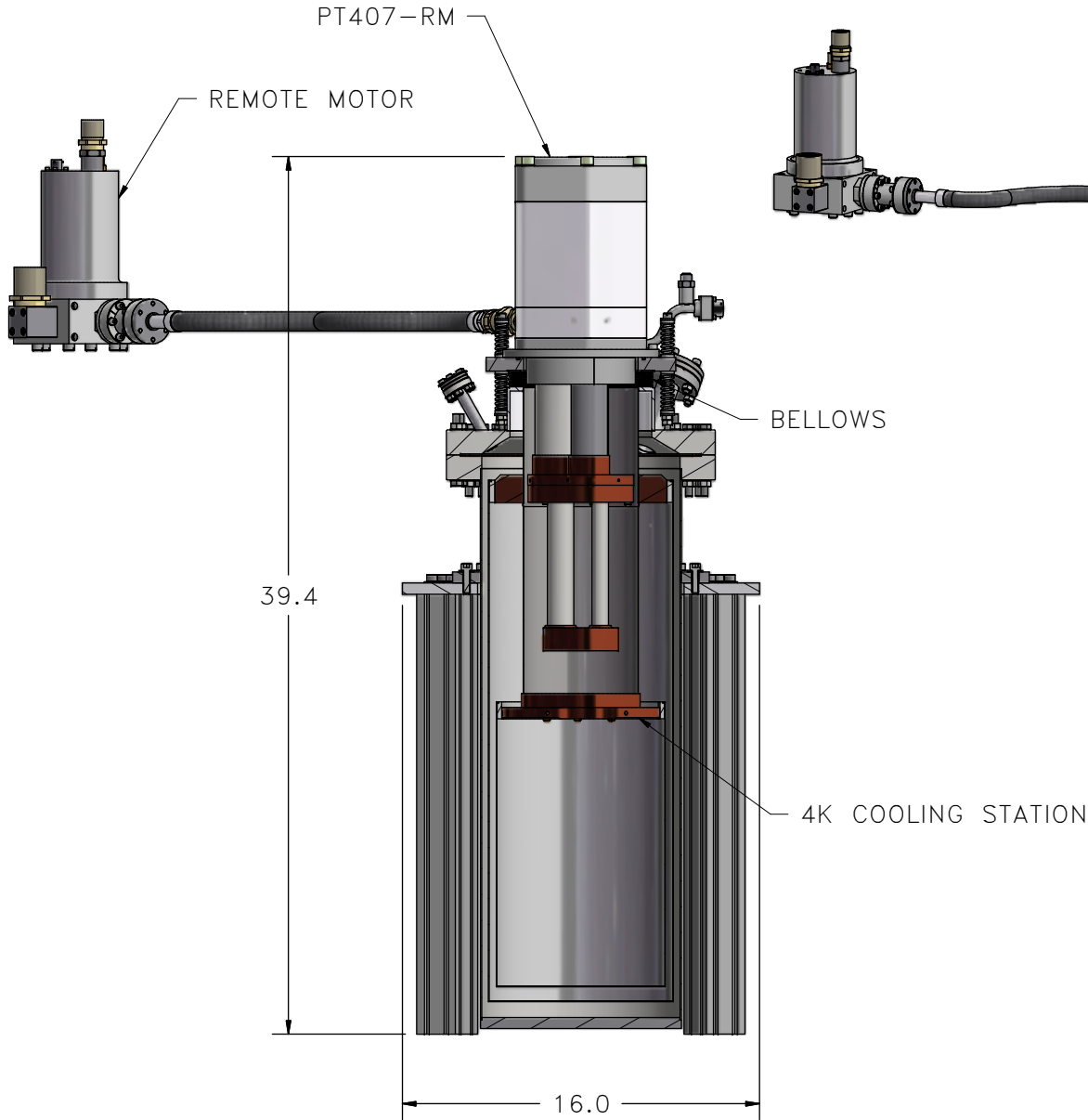


1
 ALL INFORMATION CONTAINED IN THIS DOCUMENT SHOULD BE USED FOR REFERENCE PURPOSES ONLY & ARE SUBJECT TO CHANGE WITHOUT PRIOR NOTIFICATION. ALSO, THIS DOCUMENT IS CONSIDERED PROPRIETARY & THE SOLE PROPERTY OF CRYOMECH, INC. & SHOULD NOT BE REPRODUCED IN ANY MANNER WITHOUT PRIOR WRITTEN APPROVAL.



THIRD ANGLE PROJECTION

CRYOMECH, INC
 113 FALSO DRIVE SYRACUSE, N.Y. 13211
 Tel: (315)455-2555 Fax:(315)455-2544

ALL DIMENSIONS ARE IN INCHES
 TOLERANCES: FRACTIONS $\pm 1/32$ DECIMALS $XXX = \pm 0.005$ $XX = \pm 0.01$ $X = \pm 0.1$
 ANGLES $\pm .5^\circ$ ALLOVER FINISH 25 Ra
 CONCENTRICITY .005 TOTAL INDICATOR RUN OUT
 PERPENDICULAR ± 0.002 (UNLESS OTHERWISE SPECIFIED)

NAME: 4K CRYOSTAT			
DWG #: ST60407V4N		SHT 1 OF 1	
MATERIAL: 4K CRYOSTAT			
DWN BY: KB	DATE: 16AUG16	SCALE: -	DWG SIZE: A
1ST CHK:	DATE:	2ND CHK:	DATE:
CUST:		BTA:	

USED ON	NEXT ASS'Y	QTY

R&D	-	0	R&D	16AUG16
ECN	ZONE	REV	DESCRIPTION	DATE